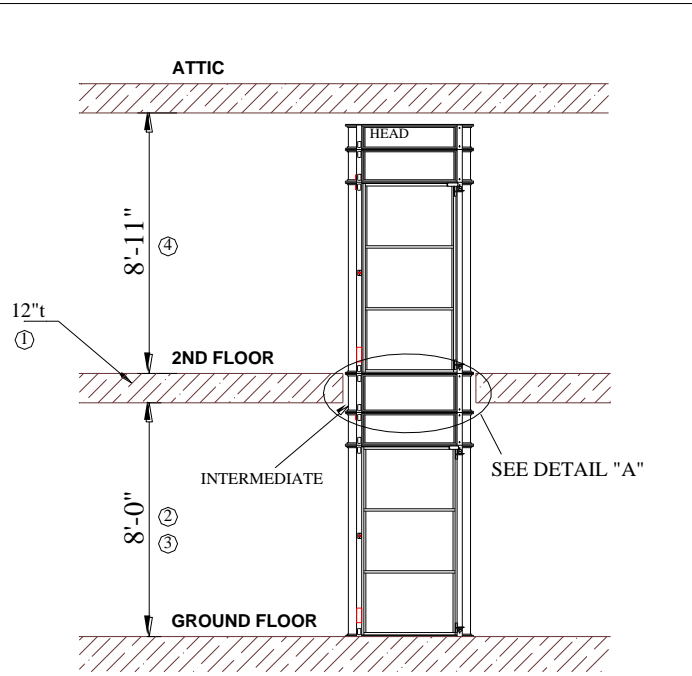
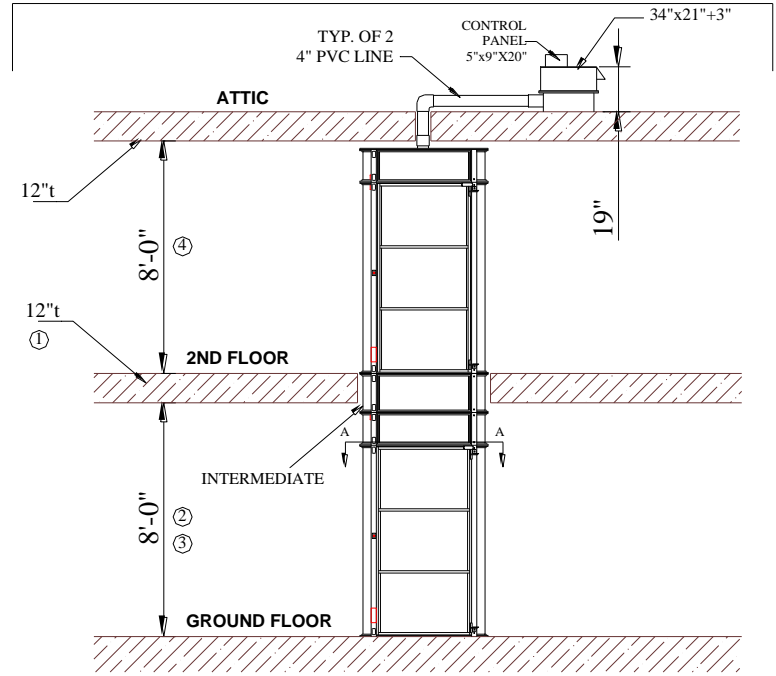


### TYPICAL SETUP

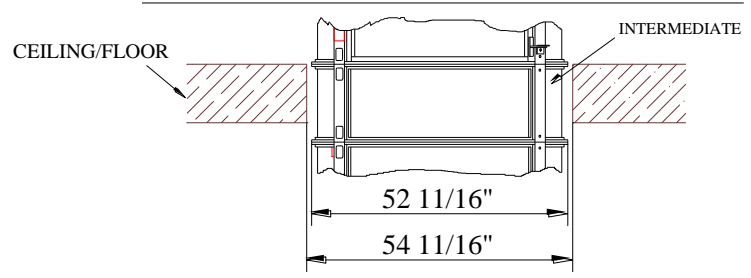


VIEW "A-A"  
SCALE 2:1

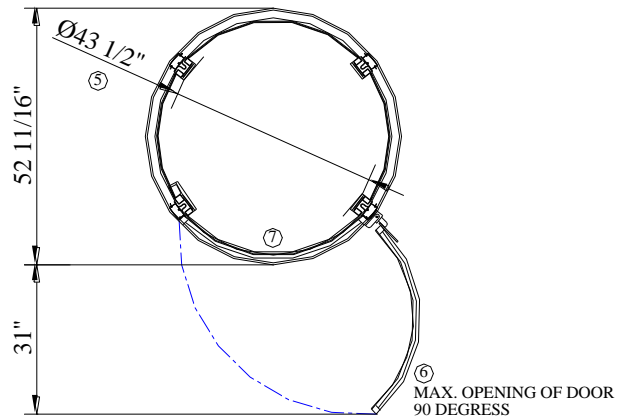
### OPTION: REMOTE LOCATION OF HEAD UNIT



DETAIL "A"  
SCALE 2:1  
(TYPICAL OF FLOOR PENETRATION)



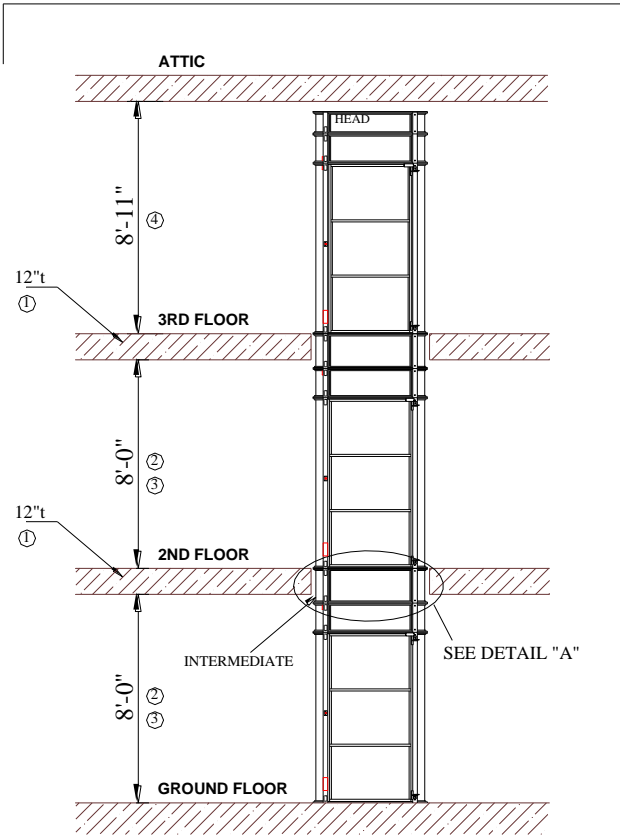
- NOTE:
- ① INTERMEDIATE CYLINDER IS CUSTOM MADE AS FLOOR THICKNESS MAY VARY FROM HOME TO HOME.
  - ② INTERMEDIATE CYLINDER IS CUSTOM MADE AS ROOM HEIGHT MAY VARY FROM HOME TO HOME.
  - ③ MINIMUM ALLOWABLE HEIGHT IS 7'-9"
  - ④ MINIMUM ALLOWABLE HEIGHT AS SHOWN FOR THIS TYPE OF INSTALLATION
  - ⑤ INTERNAL DIAMETER OF CABIN WITHOUT THE COLUMNS IS 47 1/2" AND THE INTERNAL CABIN HEIGHT IS 6'-7"
  - ⑥ DOOR WIDTH IS 37 9/16"
  - ⑦ ENTRANCE WAY WIDTH OPENING IS 32"
  - ⑧ MAX. ELEVATOR HEIGHT IS 35'



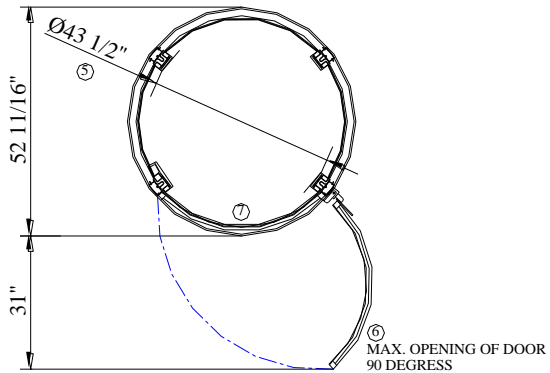
Information contain herein is the property of Pneumatic Vacuum Elevators LLC. No reproduction or disclosure of this information may be made by the recipient to any person or organization without the written consent of Pneumatic Vacuum Elevators LLC.

Itemref.	Quantity	Material	Dimensions	Article No./ Reference		
<b>PNEUMATIC VACUUM ELEVATORS LLC</b>			<b>TYPICAL HOME INSTALLATION FOR A 2STOP ELEVATOR - MODEL UB52</b>			
			Designed by HS	Scale 1:1	Drawing No. D-T52-H-01	Rev 1

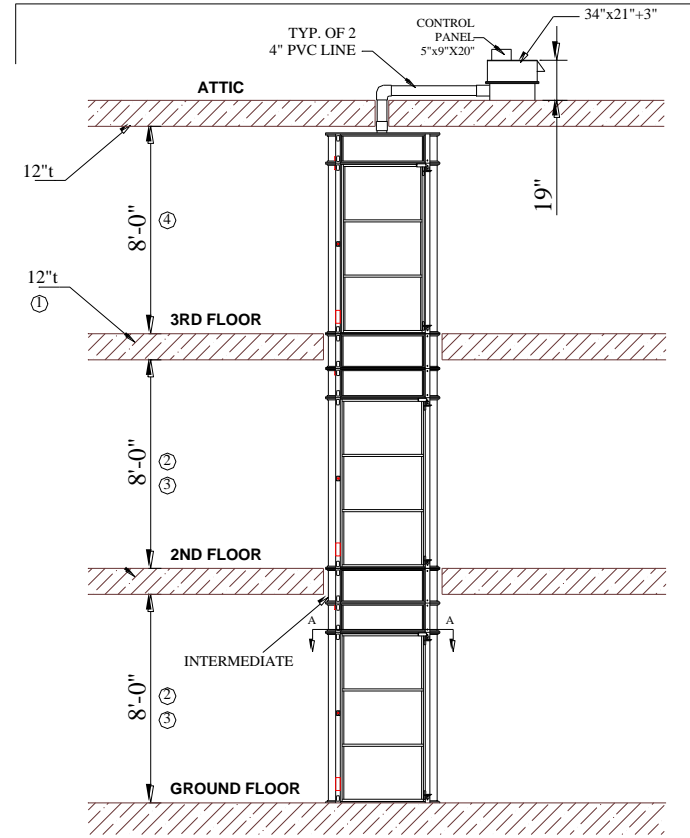
**TYPICAL SETUP**



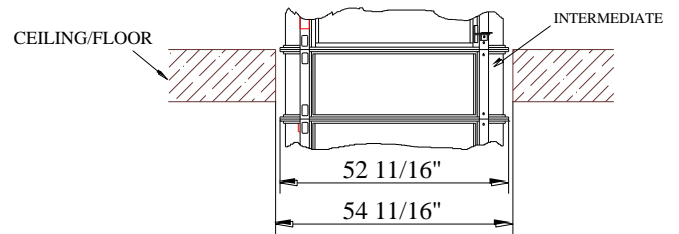
VIEW "A-A"  
SCALE 2:1



**OPTION: REMOTE LOCATION OF HEAD UNIT**



DETAIL "A"  
SCALE 2:1  
(TYPICAL OF FLOOR PENETRATION)



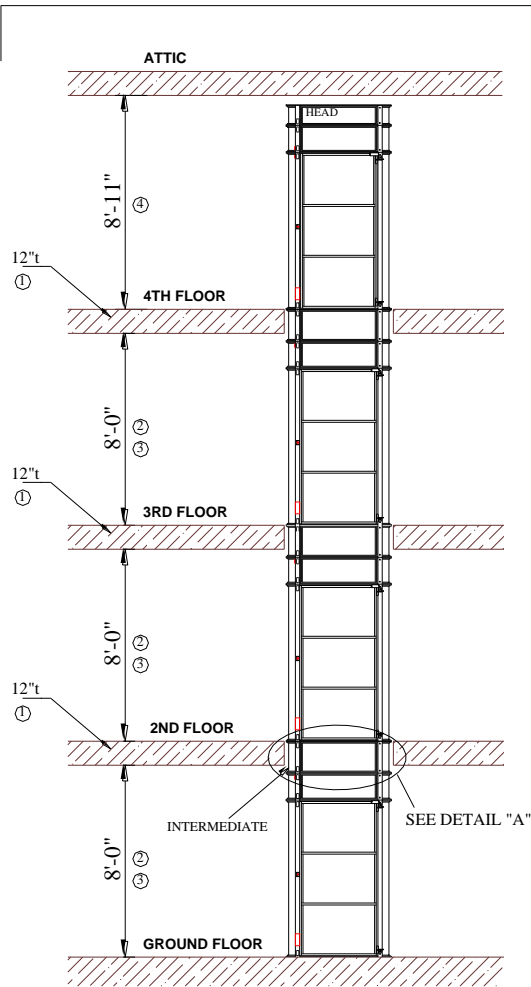
**NOTE:**

- ① INTERMEDIATE CYLINDER IS CUSTOM MADE AS FLOOR THICKNESS MAY VARY FROM HOME TO HOME.
- ② INTERMEDIATE CYLINDER IS CUSTOM MADE AS ROOM HEIGHT MAY VARY FROM HOME TO HOME.
- ③ MINIMUM ALLOWABLE HEIGHT IS 7'-9"
- ④ MINIMUM ALLOWABLE HEIGHT AS SHOWN FOR THIS TYPE OF INSTALLATION
- ⑤ INTERNAL DIAMETER OF CABIN WITHOUT THE COLUMNS IS 47 1/2" AND THE INTERNAL CABIN HEIGHT IS 6'-7"
- ⑥ DOOR WIDTH IS 37 9/16"
- ⑦ ENTRANCE WAY WIDTH OPENING IS 32"
- ⑧ MAX. ELEVATOR HEIGHT IS 35'

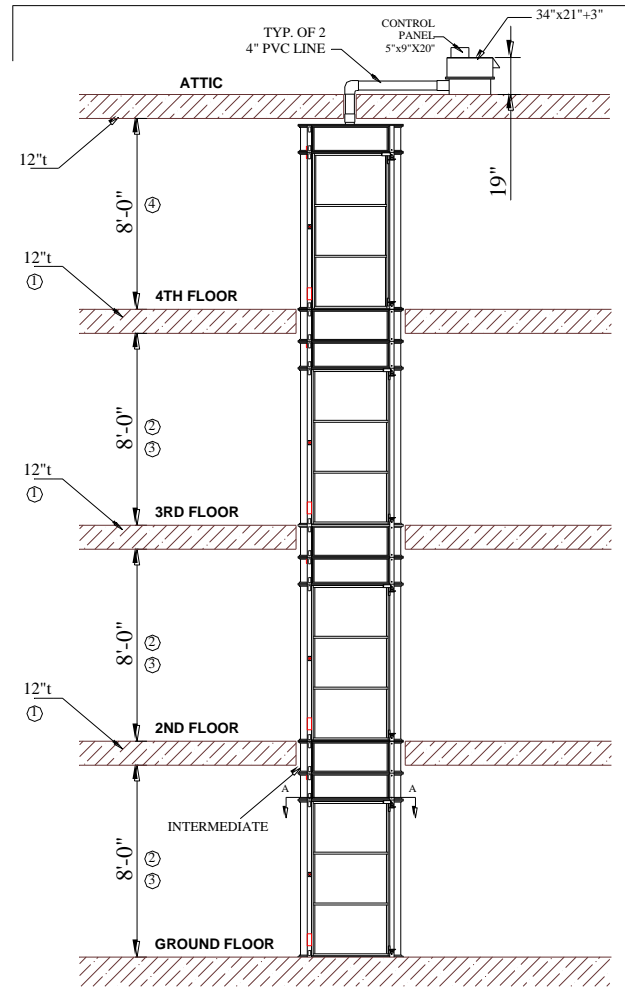
Information contain herein is the property of Pneumatic Vacuum Elevators LLC. No reproduction or disclosure of this information may be made by the recipient to any person or organization without the written consent of Pneumatic Vacuum Elevators LLC.

Itemref.	Quantity	Material	Dimensions		Article No./ Reference	
<b>PNEUMATIC VACUUM ELEVATORS LLC</b>			<b>TYPICAL HOME INSTALLATION FOR A 3STOP ELEVATOR - MODEL UB52</b>			
			Designed by HS	Scale 1:1	Drawing No. D-T52-H-02	Rev 0

**TYPICAL SETUP**



**OPTION: REMOTE LOCATION OF HEAD UNIT**



**NOTE:**

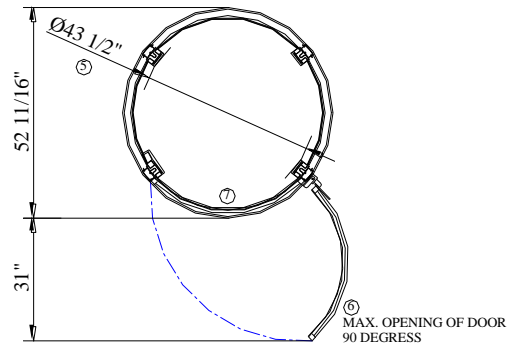
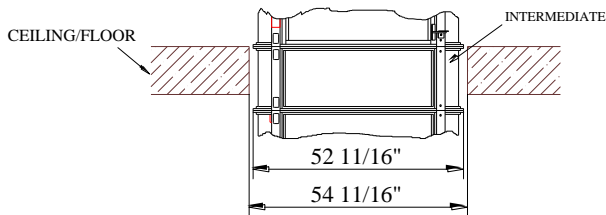
- ① INTERMEDIATE CYLINDER IS CUSTOM MADE AS FLOOR THICKNESS MAY VARY FROM HOME TO HOME.
- ② INTERMEDIATE CYLINDER IS CUSTOM MADE AS ROOM HEIGHT MAY VARY FROM HOME TO HOME.
- ③ MINIMUM ALLOWABLE HEIGHT IS 7'-9"
- ④ MINIMUM ALLOWABLE HEIGHT AS SHOWN FOR THIS TYPE OF INSTALLATION
- ⑤ INTERNAL DIAMETER OF CABIN WITHOUT THE COLUMNS IS 47 1/2" AND THE INTERNAL CABIN HEIGHT IS 6'-7"
- ⑥ DOOR WIDTH IS 37 9/16"
- ⑦ ENTRANCE WAY WIDTH OPENING IS 32"
- ⑧ MAX. ELEVATOR HEIGHT IS 35'

**VIEW "A-A"**

SCALE 2:1

**DETAIL "A"**

SCALE 2:1  
(TYPICAL OF FLOOR PENETRATION)



Information contain herein is the property of Pneumatic Vacuum Elevators LLC. No reproduction or disclosure of this information may be made by the recipient to any person or organization without the written consent of Pneumatic Vacuum Elevators LLC.

Itemref.	Quantity	Material	Dimensions	Article No./ Reference
<b>PNEUMATIC VACUUM ELEVATORS LLC</b>			<b>TYPICAL HOME INSTALLATION FOR A 4STOP ELEVATOR - MODEL UB52</b>	
			Designed by HS	Scale 1:1



# PNEUMATIC VACUUM ELEVATORS LLC

14804 S.W. 136<sup>th</sup> Street, Miami, FL. 33196  
 Phone: 305-235-6707  
 Fax: 305-235-6765

## ELECTRICAL REQUIREMENTS

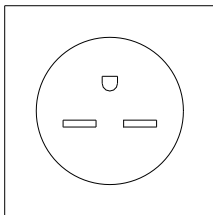
The following are the electrical requirements for a 2, 3, and 4stop elevators, for the PVE52 series.

- 220VAC (no exceptions 220VAC must be provided, 210 VAC or 230VAC is not acceptable, if installation does not have 220vac on a regular basis, a voltage regulator or transformer must be installed by home owner). Voltage fluctuations are not covered by the warranty.
- 1 phase
- (L1, L2, Ground)
- 40amp
- Primary disconnect is to be provided by home owner.
- Electrical termination point is at top of elevator. If a split unit is used electrical termination will be on top of head/split system.
- If installing a phone line a phone jack is to be provided near the power supply line, but isolated.
- A 4ft power cord and plug is provided on top of elevator or head/split system for easy of connecting. The provided plug is manufactured by Pass & Seymour or comparable substitute:

Catalog Number	Page (PDF)	Rating A	Rating V	Description	Cord Diameter	NEMA Config. No.
<a href="#">3869</a>	<a href="#">G11</a>	30/50	250	Angled Plug, Black	.56 - 1.1 in.	6-30P/6-50P

- Home owner / electrician needs to provide 220VAC, 1phase, 30amp electrical outlet as shown below (Pass & Seymour or comparable substitute):

220VAC, 1phase  
POWER OUTLET



**Straight Blade Devices**

**Power Outlet Receptacles & Plugs**

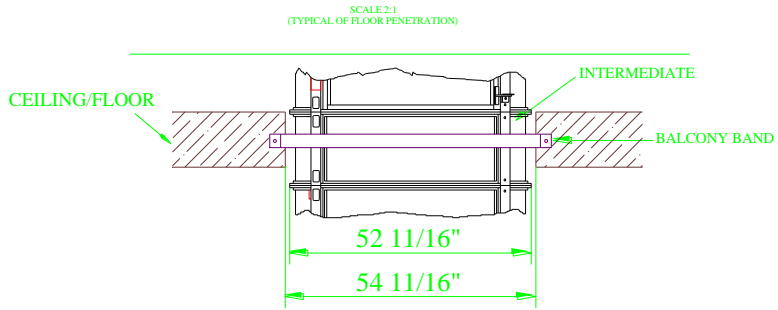
20, 30, 50, & 60A

**Pass & Seymour**  
legrand

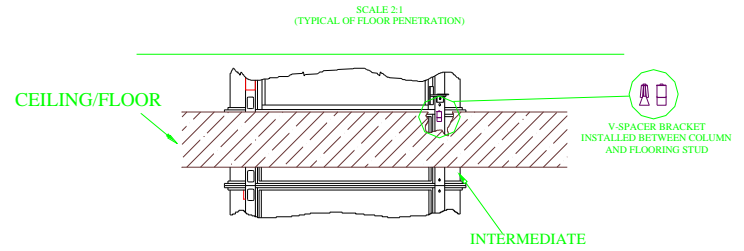
Catalog Number	Rating A.	Rating V.	Usage	Receptacle/Plug Config and NEMA No.	Description	AL/CU
<a href="#">3801</a>	30	250		6-30	Flush Receptacle	•

It is strongly recommended that the electrician contact PVE before starting work.

### TYPICAL BALCONY MOUNT



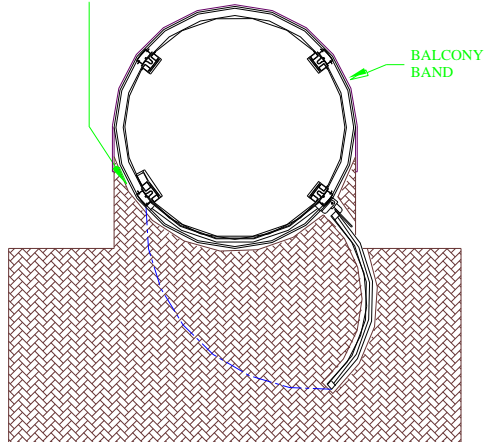
### TYPICAL THROUGH FLOOR MOUNT



### MOUNT SAMPLE 1

SCALE 2:1

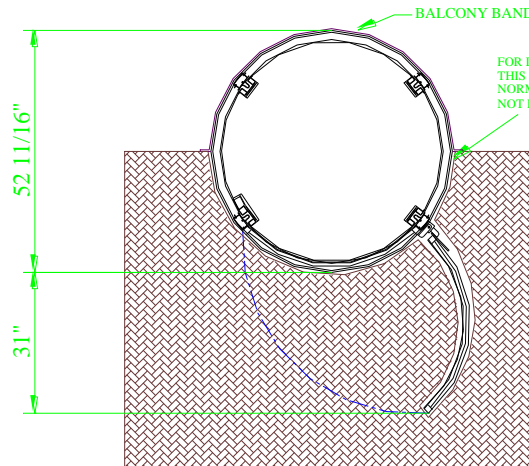
FOR DRAWING PURPOSE  
THIS SPACE HAS BEEN ADDED  
NORMAL INSTALLATION WILL  
NOT HAVE SPACING



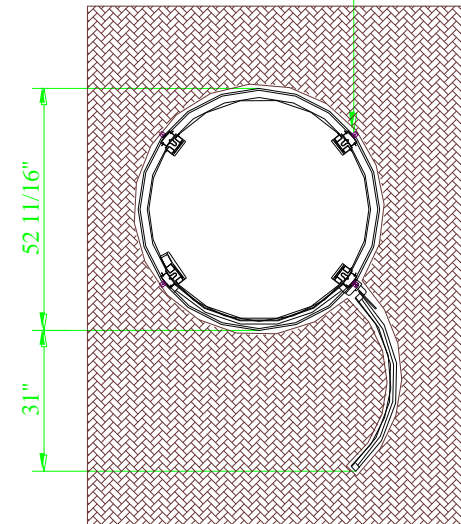
### MOUNT SAMPLE 2

SCALE 2:1


FOR DRAWING PURPOSE  
THIS SPACE HAS BEEN ADDED  
NORMAL INSTALLATION WILL  
NOT HAVE SPACING



V-SPACER  
BRACKET



Information contain herein is the property of Pneumatic Vacuum Elevators LLC. No reproduction or disclosure of this information may be made by the recipient to any person or organization without the written consent of Pneumatic Vacuum Elevators LLC.

Itemref.	Quantity	Material	Dimintions	Article No./ Reference
 <b>PNEUMATIC VACUUM ELEVATORS LLC</b>	<b>TYPICAL HOME INSTALLATION MOUNTING OPTIONS- MODEL 52"</b>			
	Designed by HS	Scale 1:1	Drawing No. D-TYP-52-04	Rev 0 Date 10/16/07