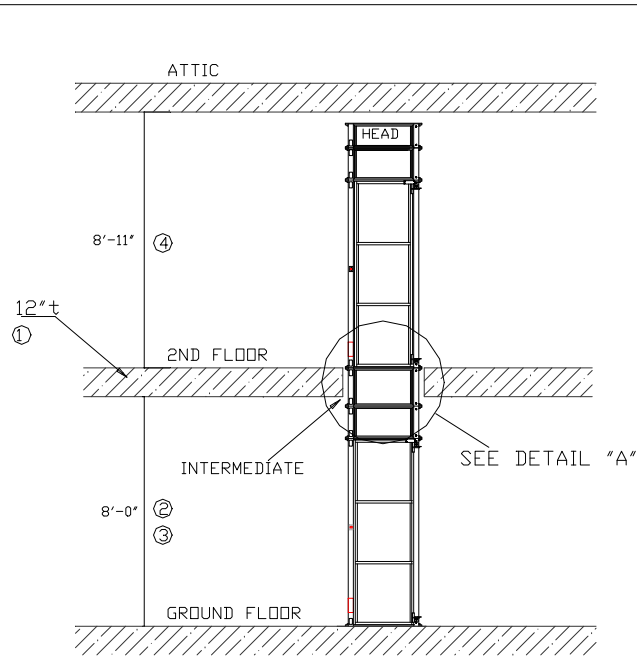
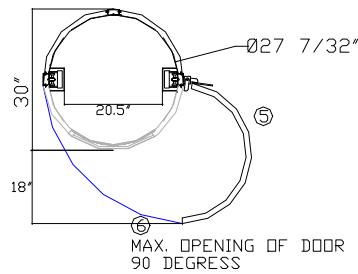


TYPICAL SETUP



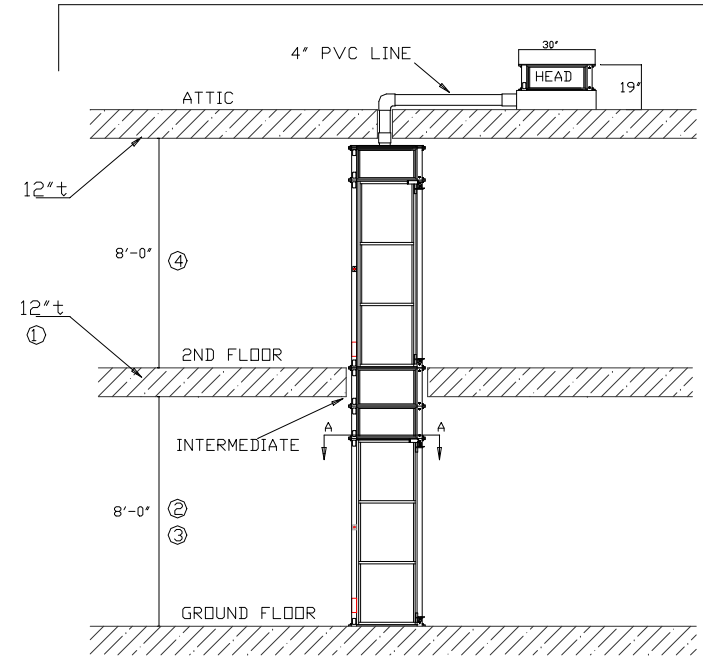
VIEW "A-A"
SCALE 2:1



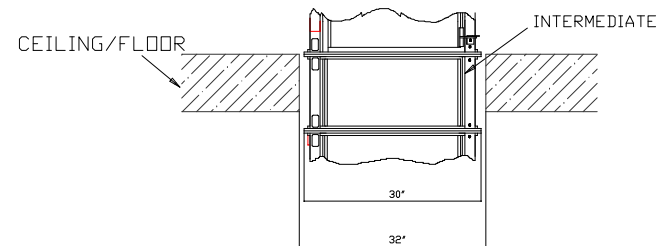
NOTE:

- ① INTERMEDIATE CYLINDER IS CUSTOM MADE AS FLOOR THICKNESS MAY VARY FROM HOME TO HOME.
- ② INTERMEDIATE CYLINDER IS CUSTOM MADE AS ROOM HEIGHT MAY VARY FROM HOME TO HOME.
- ③ MINIMUM ALLOWABLE HEIGHT IS 7'-9"
- ④ MINIMUM ALLOWABLE HEIGHT AS SHOWN FOR THIS TYPE OF INSTALLATION
- ⑤ INTERNAL DIAMETER OF CABIN WITHOUT THE COLUMNS IS 25 1/2" AND THE INTERNAL CABIN HEIGHT IS 6'-5"
- ⑥ CABIN WIDTH INCLUDING COLUMNS IS 20 1/2"
- ⑦ MAX. ELEVATOR HEIGHT IS 35'

OPTION: REMOTE LOCATION OF HEAD UNIT



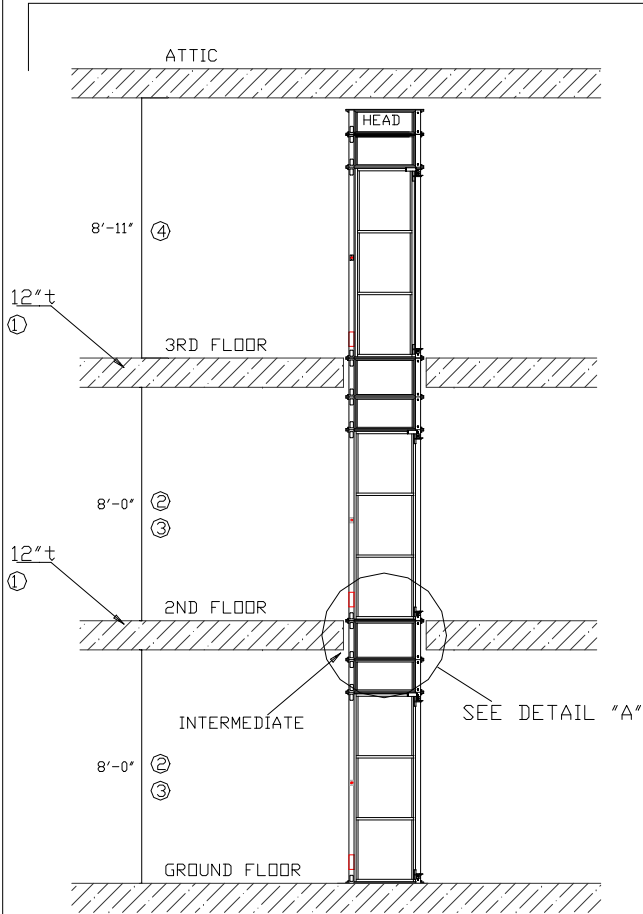
DETAIL "A"
(TYPICAL OF FLOOR PENETRATION)



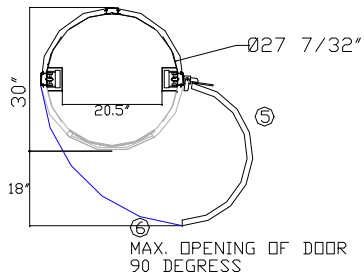
Information contain herein is the property of Pneumatic Vacuum Elevators LLC. No reproduction or disclosure of this information may be made by the recipient to any person or organization without the written consent of Pneumatic Vacuum Elevators LLC.

Itemref.	Quantity	Material	Dimintions	Article No./ Reference
PNEUMATIC VACUUM ELEVATORS LLC			TYPICAL HOME INSTALLATION FOR A 2STOP ELEVATOR	
			Designed by HS	Scale 1:1

TYPICAL SETUP



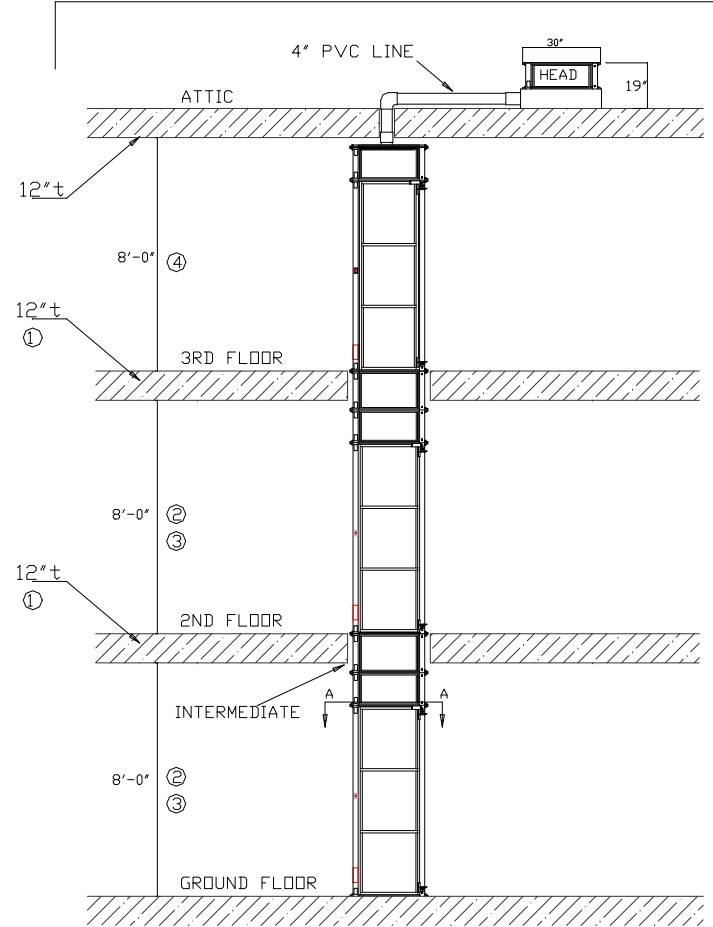
VIEW "A-A"
SCALE 2:1



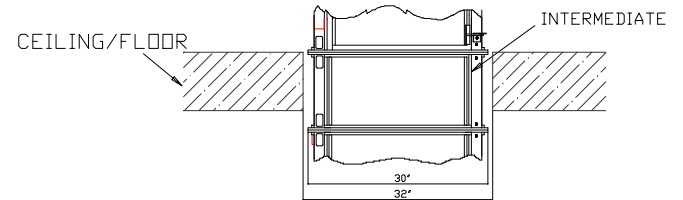
NOTE:

- ① INTERMEDIATE CYLINDER IS CUSTOM MADE AS FLOOR THICKNESS MAY VARY FROM HOME TO HOME.
- ② INTERMEDIATE CYLINDER IS CUSTOM MADE AS ROOM HEIGHT MAY VARY FROM HOME TO HOME.
- ③ MINIMUM ALLOWABLE HEIGHT IS 7'-9"
- ④ MINIMUM ALLOWABLE HEIGHT AS SHOWN FOR THIS TYPE OF INSTALLATION
- ⑤ INTERNAL DIAMETER OF CABIN WITHOUT THE COLUMNS IS 25 1/2" AND THE INTERNAL CABIN HEIGHT IS 6'-5"
- ⑥ CABIN WIDTH INCLUDING COLUMNS IS 20 1/2"
- ⑦ MAX. ELEVATOR HEIGHT IS 35'

OPTION: REMOTE LOCATION OF HEAD UNIT



DETAIL "A"
(TYPICAL OF FLOOR PENETRATION)



Information contain herein is the property of Pneumatic Vacuum Elevators LLC. No reproduction or disclosure of this information may be made by the recipient to any person or organization without the written consent of Pneumatic Vacuum Elevators LLC.

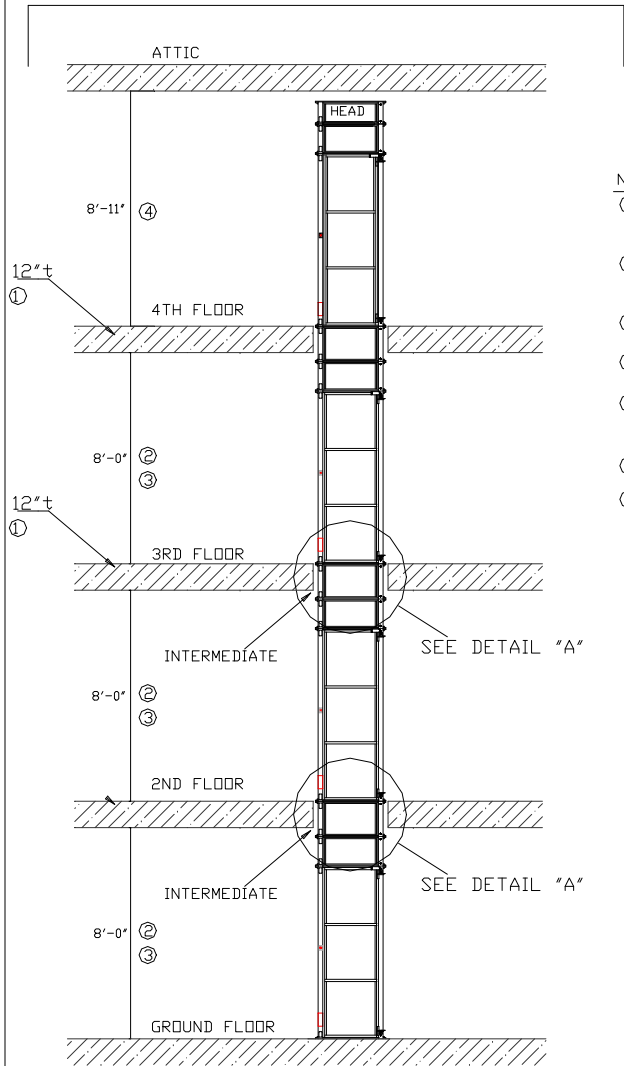


**PNEUMATIC
VACUUM ELEVATORS LLC**

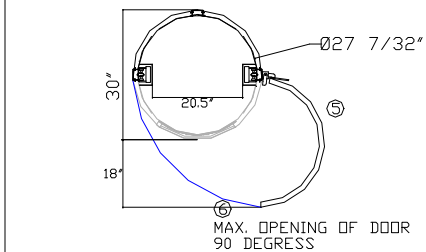
TYPICAL HOME INSTALLATION
FOR A 3STOP ELEVATOR

Designed by	Scale	Drawing No	Rev	Date
HS	1:1	D-30-CYL3	0	11/15/10

TYPICAL SETUP



VIEW "A-A"
SCALE 2:1

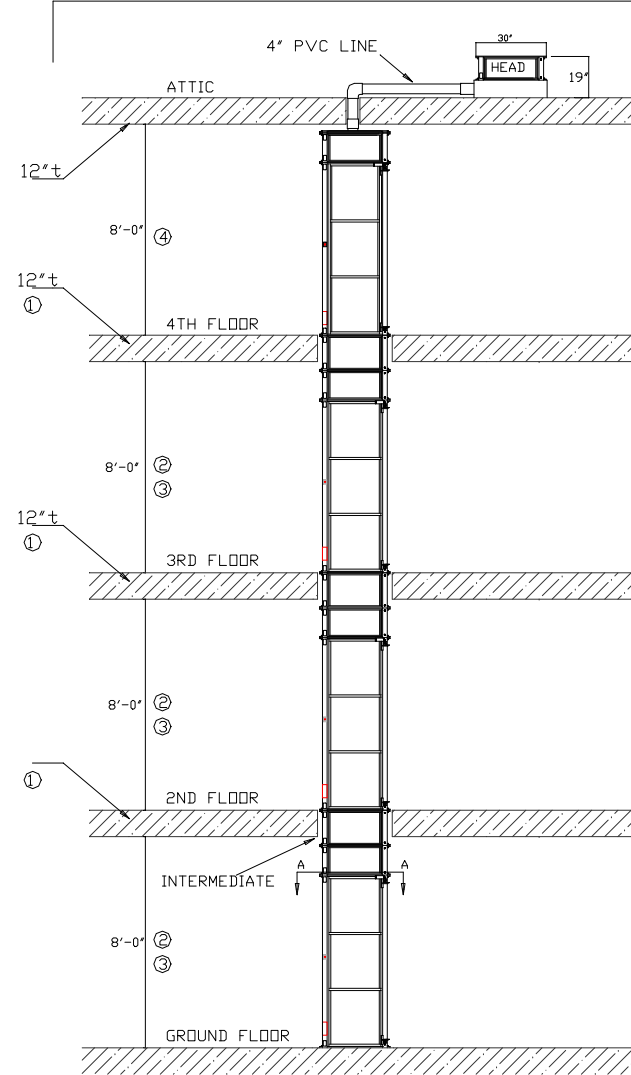


MAX. OPENING OF DOOR
90 DEGRESS

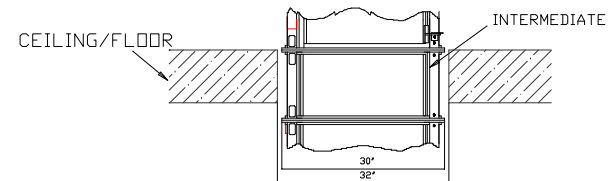
NOTE:

- ① INTERMEDIATE CYLINDER IS CUSTOM MADE AS FLOOR THICKNESS MAY VARY FROM HOME TO HOME.
- ② INTERMEDIATE CYLINDER IS CUSTOM MADE AS ROOM HEIGHT MAY VARY FROM HOME TO HOME.
- ③ MINIMUM ALLOWABLE HEIGHT IS 7'-9"
- ④ MINIMUM ALLOWABLE HEIGHT AS SHOWN FOR THIS TYPE OF INSTALLATION
- ⑤ INTERNAL DIAMETER OF CABIN WITHOUT THE COLUMNS IS 25 1/2" AND THE INTERNAL CABIN HEIGHT IS 6'-5"
- ⑥ CABIN WIDTH INCLUDING COLUMNS IS 20 1/2"
- ⑦ MAX. ELEVATOR HEIGHT IS 35'

OPTION: REMOTE LOCATION OF HEAD UNIT



DETAIL "A"
(TYPICAL OF FLOOR PENETRATION)



Information contain herein is the property of Pneumatic Vacuum Elevators LLC. No reproduction or disclosure of this information may be made by the recipient to any person or organization without the written consent of Pneumatic Vacuum Elevators LLC.



TYPICAL HOME INSTALLATION
FOR A 4STOP ELEVATOR

Designed by HS	Scale 1:1	Drawing No. D-30-CYL4	Rev 0	Date 11/15/10
-------------------	--------------	--------------------------	----------	------------------



PNEUMATIC VACUUM ELEVATORS LLC

14804 S.W. 136th Street, Miami, FL. 33196
 Phone: 305-235-6707
 Fax: 305-235-6765

ELECTRICAL REQUIREMENTS

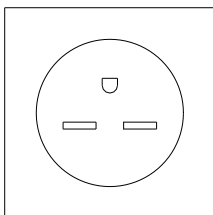
The following are the electrical requirements for a 2, 3, and 4stop elevators, PVE30 & PVE37 series.

- 220VAC (no exceptions 220VAC must be provided, 210 VAC or 230VAC is not acceptable, if installation does not have 220vac on a regular basis, a voltage regulator or transformer must be installed by home owner). Voltage fluctuations are not covered by the warranty.
- 1 phase
- (L1, L2, Ground)
- 30amp
- Primary disconnect is to be provided by home owner.
- Electrical termination point is at top of elevator. If a split unit is used electrical termination will be on top of head/split system.
- If installing a phone line a phone jack is to be provided near the power supply line, but isolated.
- A 4ft power cord and plug is provided on top of elevator or head/split system for easy of connecting. The provided plug is manufactured by Pass & Seymour or comparable substitute:

Catalog Number	Page (PDF)	Rating A	Rating V	Description	Cord Diameter	NEMA Config. No.
3869	G11	30/50	250	Angled Plug, Black	.56 - 1.1 in.	6-30P/6-50P

- Home owner / electrician needs to provide 220VAC, 1phase, 30amp electrical outlet as shown below (Pass & Seymour or comparable substitute):

220VAC, 1phase
POWER OUTLET



Straight Blade Devices

Power Outlet Receptacles & Plugs

20, 30, 50, & 60A

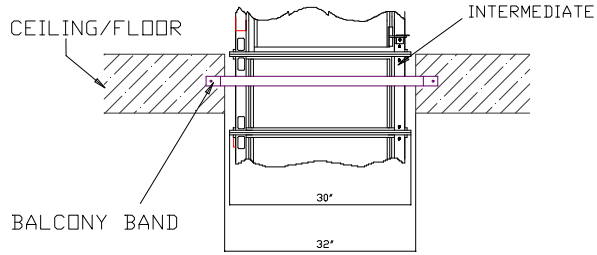
Pass & Seymour
legrand

Catalog Number	Rating A.	Rating V.	Usage	Receptacle/Plug Config and NEMA No.	Description	AL/CU
3801	30	250		6-30	Flush Receptacle	•

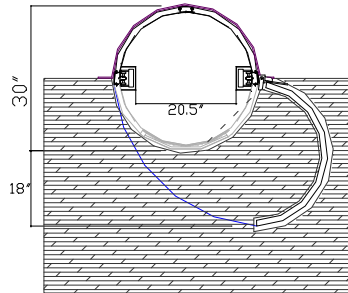
It is strongly recommended that the electrician contact PVE before starting work.

TYPICAL BALCONY MOUNT

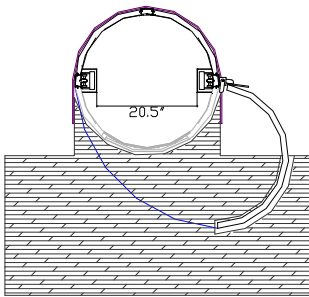
(TYPICAL OF FLOOR PENETRATION)
(SCALE 2:1)



MOUNT SAMPLE 1
SCALE 2:1

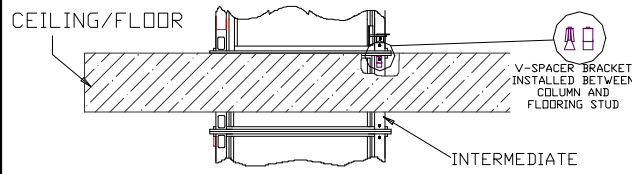


MOUNT SAMPLE 1
SCALE 2:1

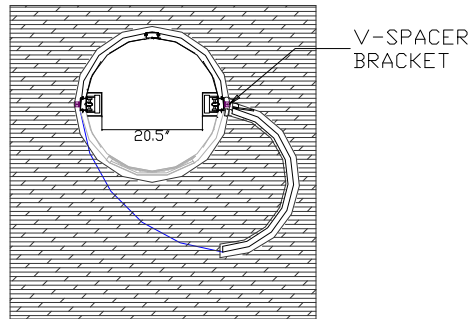


TYPICAL THROUGH FLOOR MOUNT

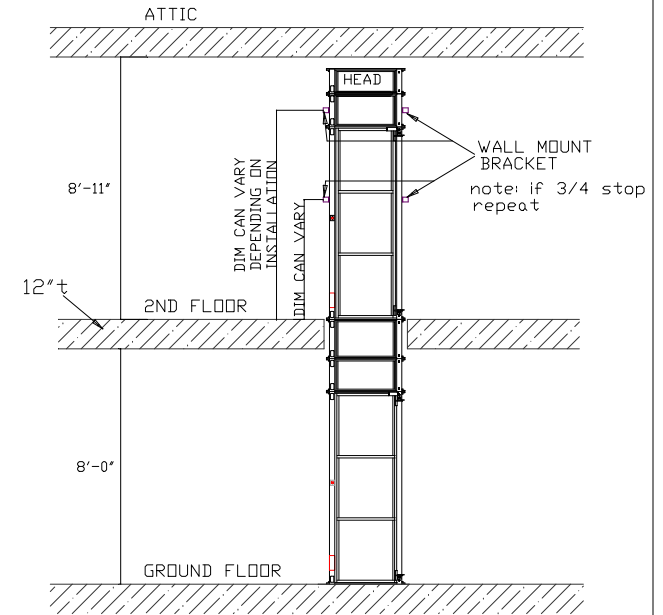
(TYPICAL OF FLOOR PENETRATION)
(SCALE 2:1)



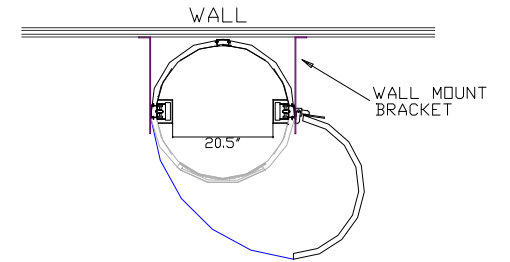
SCALE 2:1




UPPER FLOORS WALL SUPPORT



SCALE 2:1



Information contain herein is the property of Pneumatic Vacuum Elevators LLC. No reproduction or disclosure of this information may be made by the recipient to any person or organization without the written consent of Pneumatic Vacuum Elevators LLC.

Itemref.	Quantity	Material	Dinentions		Article No./ Reference	
 PNEUMATIC VACUUM ELEVATORS LLC			TYPICAL HOME INSTALLATION MODEL 30 SUPPORT & WALL MOUNT			
			Designed by HS	Scale 1:1	Drawing No. D-30-MOUNT	Rev 0